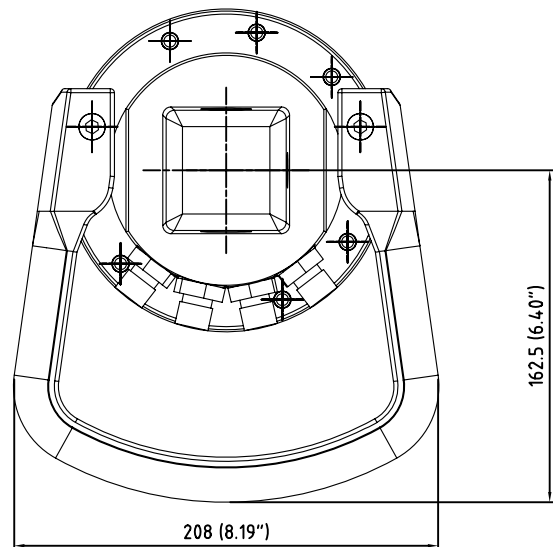
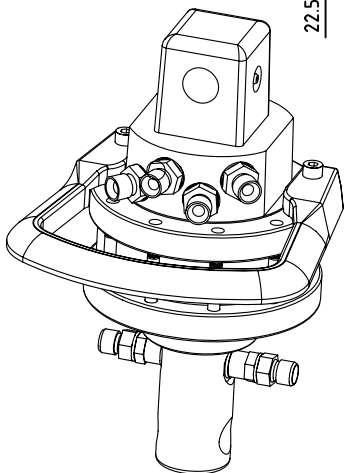
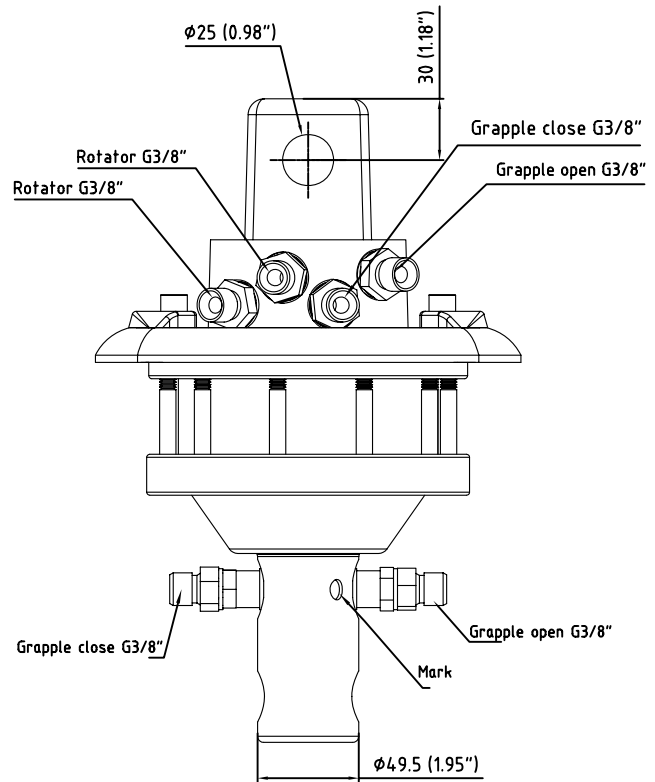
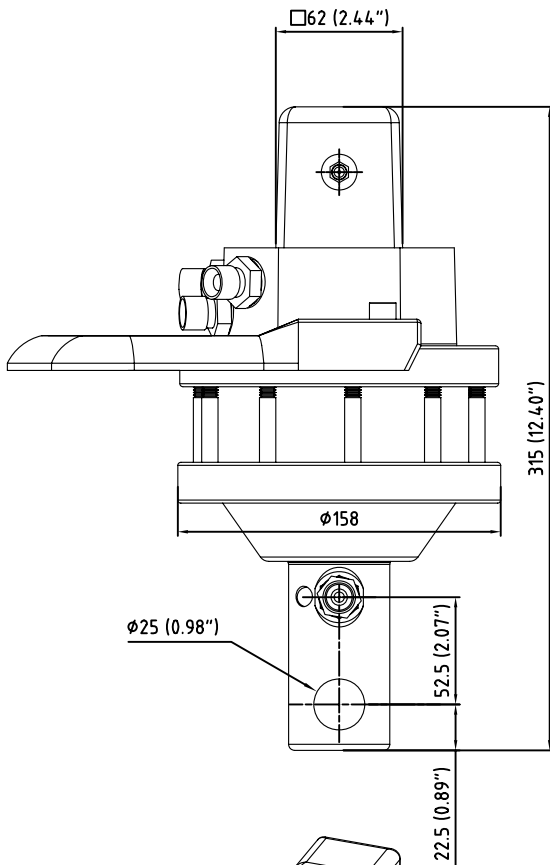


ROTATOR GR-30A



Technical data

| | | |
|-----------------------------|-----------------|-------------------|
| Rotation : | | Unlimited |
| Max axial load static,KN: | | 30 |
| Max axial load dynamic,KN: | | 15 |
| Torque (25MPa) ,Nm: | | 900 |
| Rated displacement,ml/r: | | 330 |
| Weight,Kg: | | 16 |
| Max working pressure | | connection |
| Rotator : | ←R→ max 25MPa | G3/8 " |
| Grapple/Tool open : | ←G→ max 20MPa | G3/8" |
| Grapple/Tool close: | ← G → max 30MPa | G3/8" |