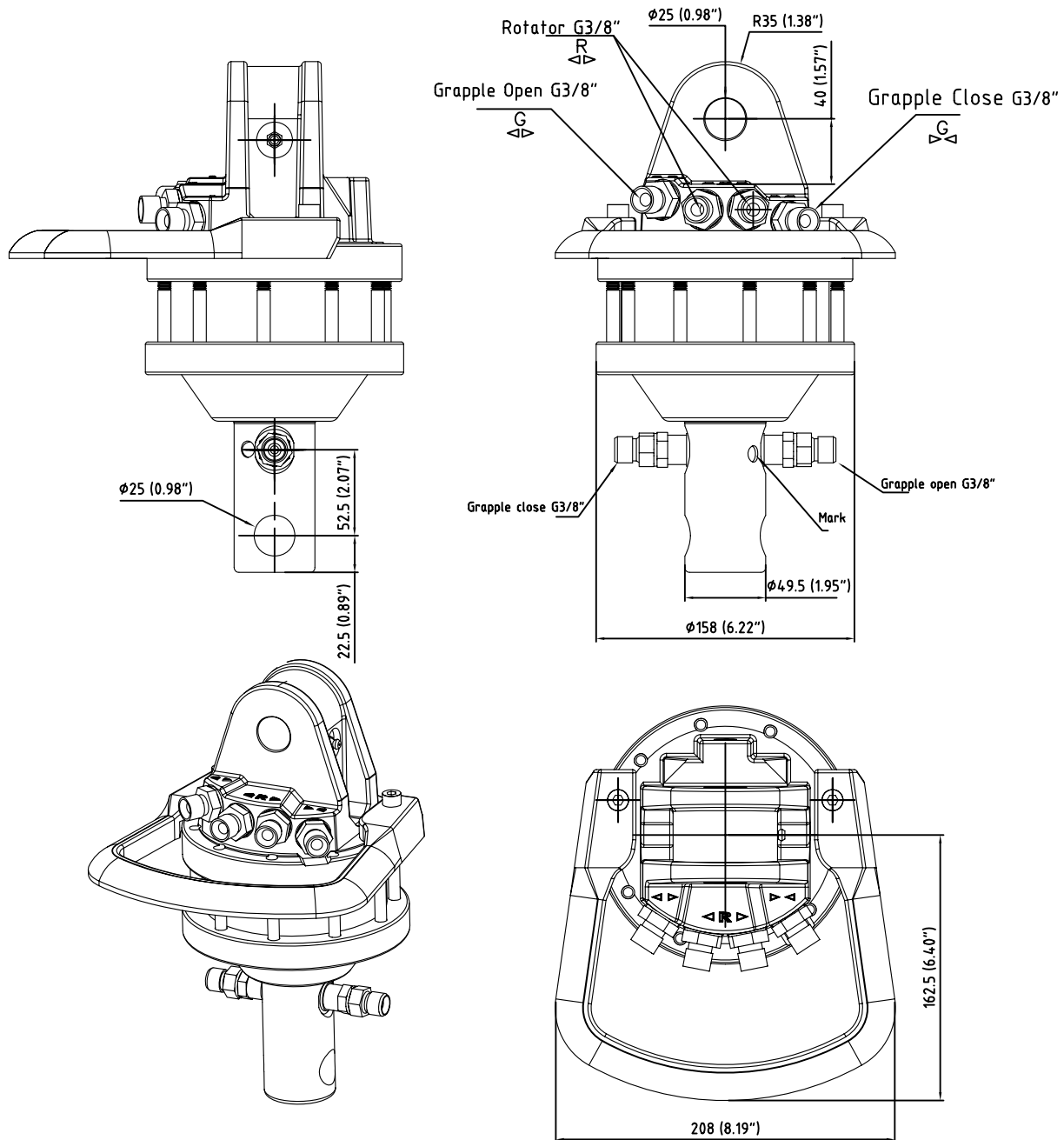


ROTATOR GR-30B



Technical data

Rotation :		Unlimited
Max axial load static,KN:		30
Max axial load dynamic,KN:		15
Torque (25MPa) ,Nm:		900
Rated displacement,ml/r:		330
Weight,Kg:		16
Max working pressure		connection
Rotator :	—R— max 25MPa	G3/8"
Grapple/Tool open :	—G— max 20MPa	G3/8"
Grapple/Tool close:	—G— max 30MPa	G3/8"