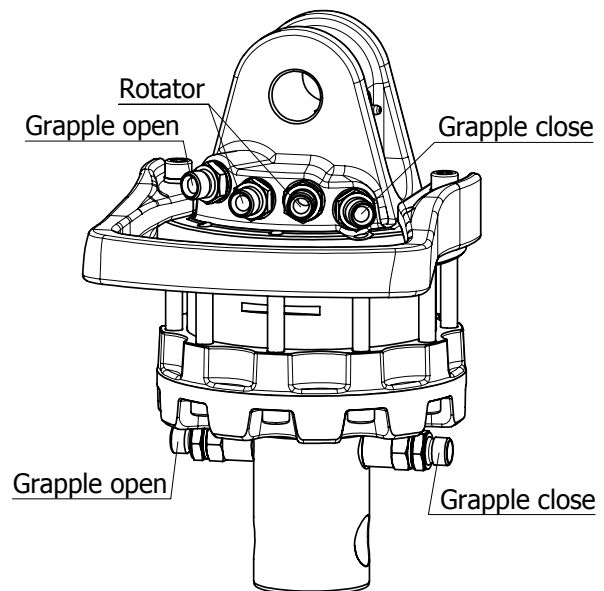
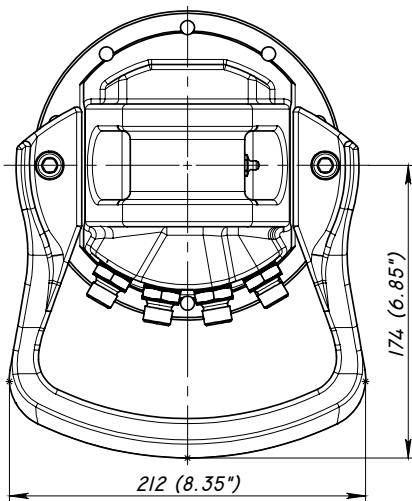
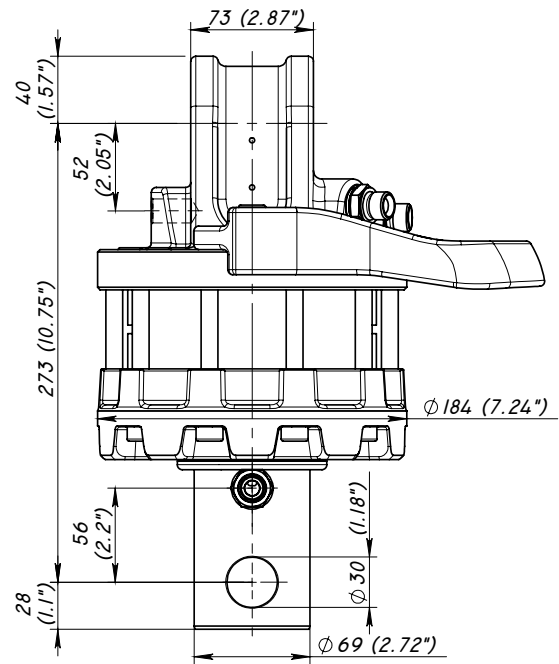
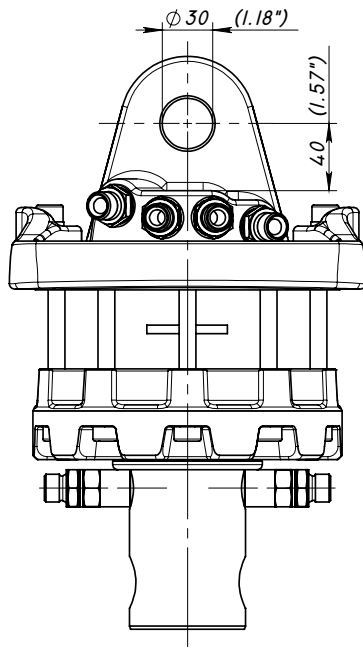


ROTATOR GR-50



Technical data

Rotation :

Unlimited

Max axial load static,KN:

55

Max axial load dynamic,KN:

25

Torque (25MPa) ,Nm:

1400

Rated displacement,ml/r:

465

Weight,Kg:

29 -

Max working pressure

connection

Rotator : ←R→ max 25MPa

G3/8"

Grapple/Tool open : ←G→ max 20MPa

G3/8"

Grapple/Tool close: →G← max 30MPa

G3/8"